



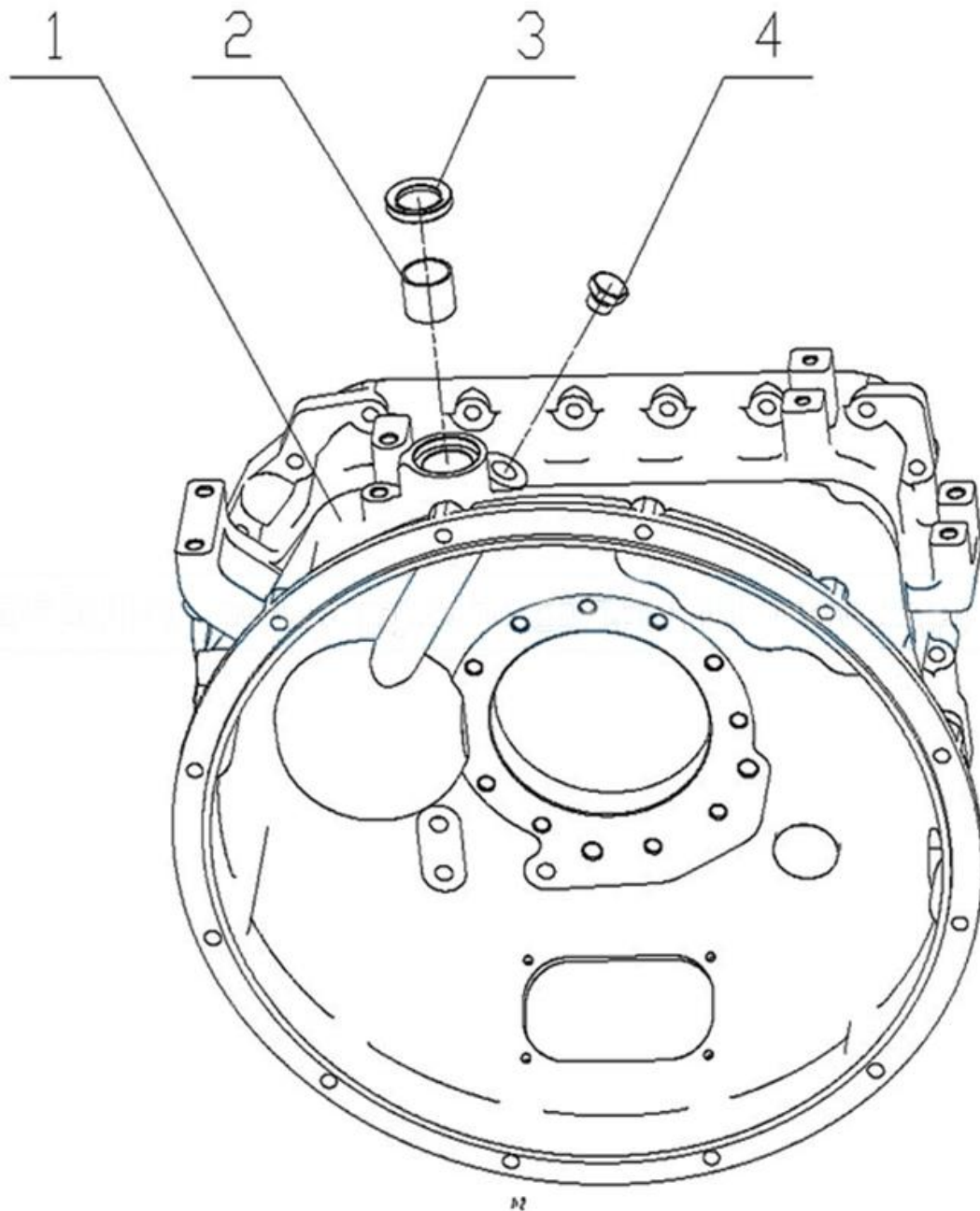
SINOTRUK

HW19170T TRANSMISSION

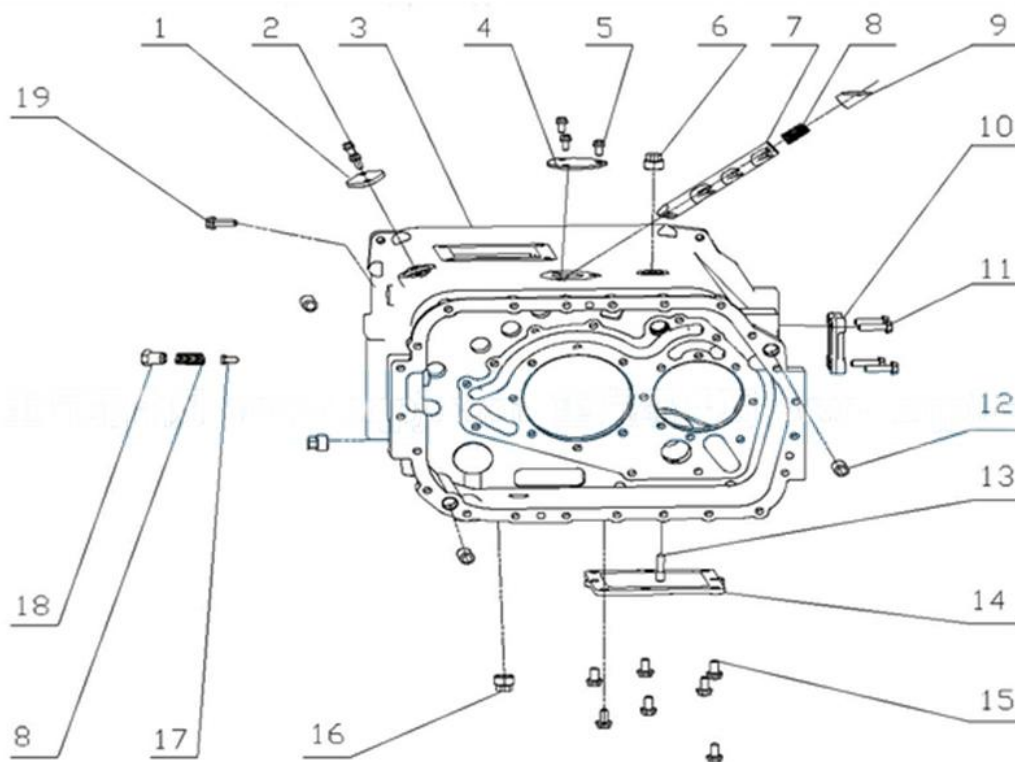
SPARE PARTS CATALOG

INDEX

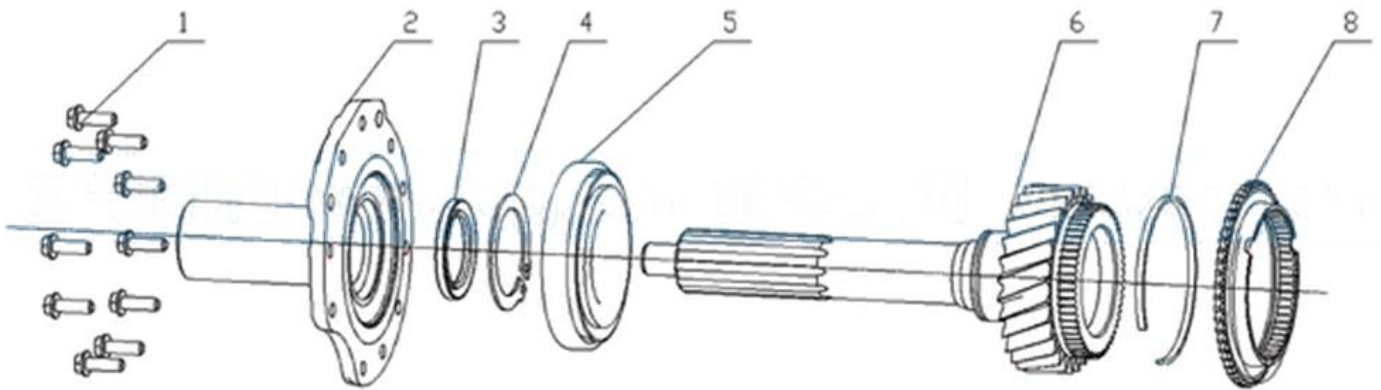
FRONT HOUSING	Page 3
MIDDLE HOUSING	Page 4
INPUT SHAFT & CAP	Page 5
ELECTRIC SWITCH	Page 6
MOTION CONTROL	Page 7
CLUTCH CONTROL	Page 8
AIR CONTROL PIPELINE VALVE	Page 9
OIL PUMP AND PIPELINE	Page 10
SHIFTNG FORK SHAFT	Page 11
CAP & AIR BOOSTER	Page 12
DEPUTY CASE OF RANGE GEAR	Page 14
IDLER WHEEL	Page 17
MAIN SHAFT	Page 18
DEPUTY SHAFT	Page 20



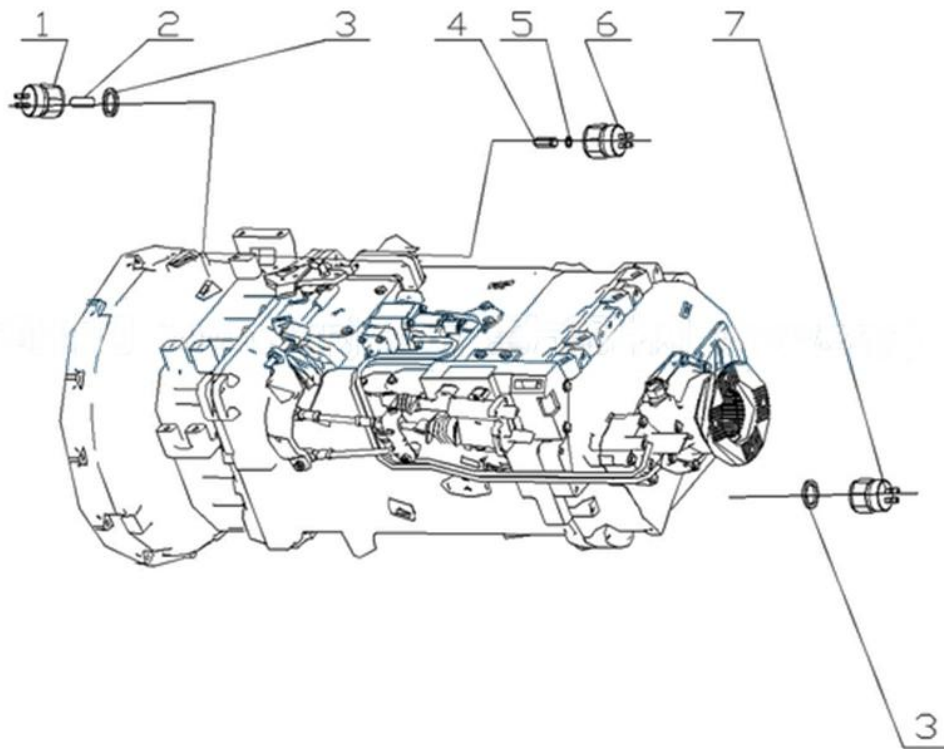
FRONT HOUSING, HW19710T			
Serial	Name	Number	Note
1	front housin	wg2220000501	
2	compound bushing	wg2229003030	
3	frame oil seal	wg9003073001	
4	screw plug	wg2229000011	



MIDDLE HOUSING, HW19710T			
Serial	Name	Number	Note
1	shifting arm shaft plate	wg2229010013	
2	set of hexagonal head bolt and spring gasket	q1420816	
2	set of hexagonal head bolt and spring gasket	q1420825	
3	middle housing body	wg2220010501	
4	pressure plate	wg2229010009	
5	set of hexagonal head bolt and spring gasket	q1420816	
6	screw plug	wg2229010002	
7	main & deputy case inter-locking shaft	wg2212010001	
8	deputy case fork shaft locking spring	wg2229010012	
9	inter-locking spring seat	wg2229010008	
10	oil cooler connector plate	wg2222010002	
11	set of hexagonal head bolt and spring gasket	q1461035	
12	positioning pin	wg2229010001	
13	thrust scew	wg2229010010	
14	idler plate	wg2222010001	
15	set of hexagonal head bolt and spring gasket	q1421025	
16	oil outlet screw plug	wg2203010002	
17	shifting damp spring seat	wg2229010005	
18	deputy case fork shaft locking pin	wg2229010011	
19	set of hexagonal head bolt and spring gasket	q1421040	

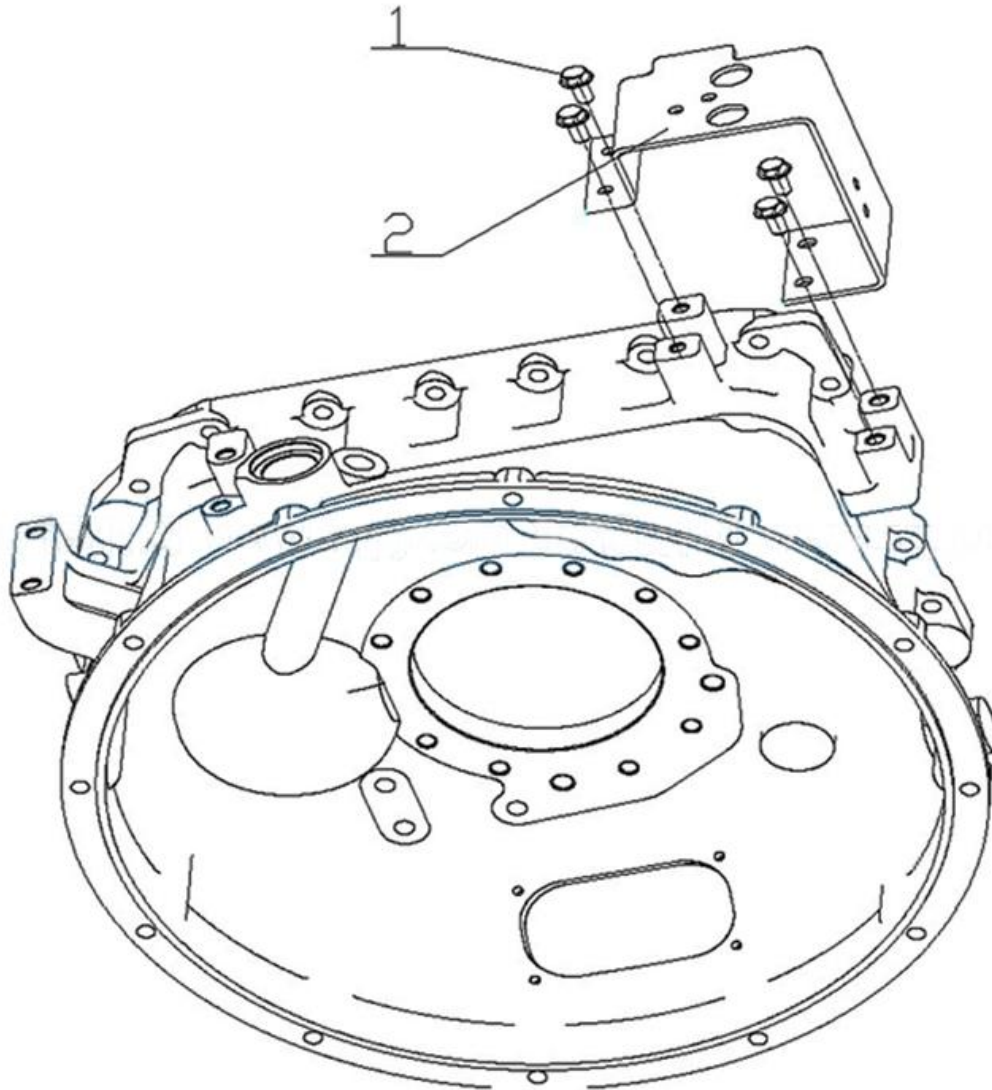


INPUT SHAFT & CAP, HW19710T			
Serial	Name	Number	Note
1	set of hexagonal head bolt and spring gasket	wg9003801032	
2	input shaft bearing cap	wg2222020020	
3	input shaft oil seal	wg9003070501	
4	elastic retainer	q43175	
5	input shaft cone bearing	wg9003323131	
6	input shaft	az2210020501	
7	input shaft gear-locking ring	wg2229020020	
8	third and fourth gear cone ring	az2210020502	

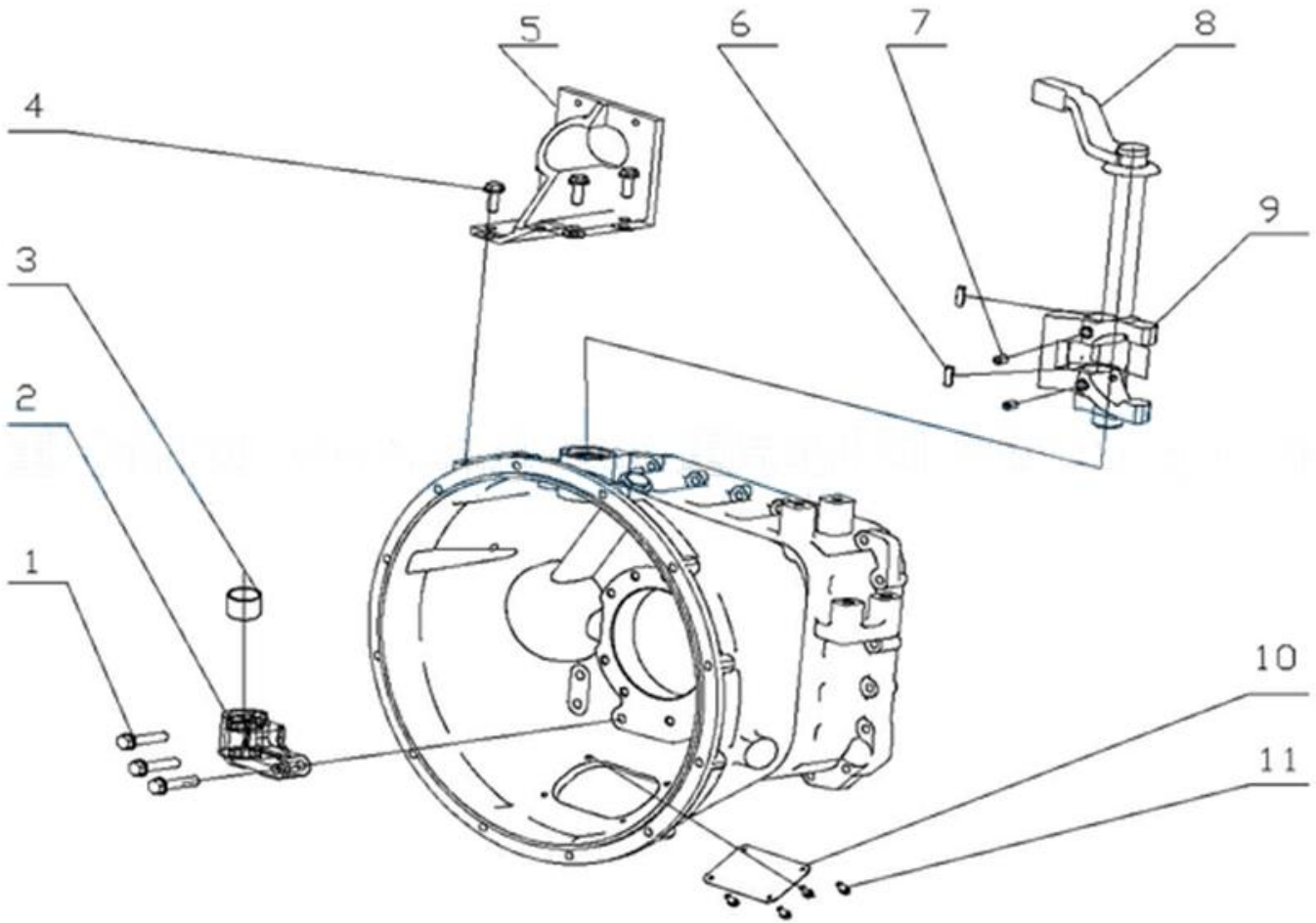


ELECTRIC SWITCH, HW19710T

Serial	Name	Number	Note
1	pressure switch(normal closed)	wg9100710041	
2	neutral gear sensor top pin	wg2229210027	
3	sealing ring	wg2229280001	
4	sensor top pin	wg2229280002	
5	steel retaining ring for shaft	q43708	
6	pressure switch (normal opened)	wg9100710068	
7	pressure switch(normal closed)	wg9100710070	

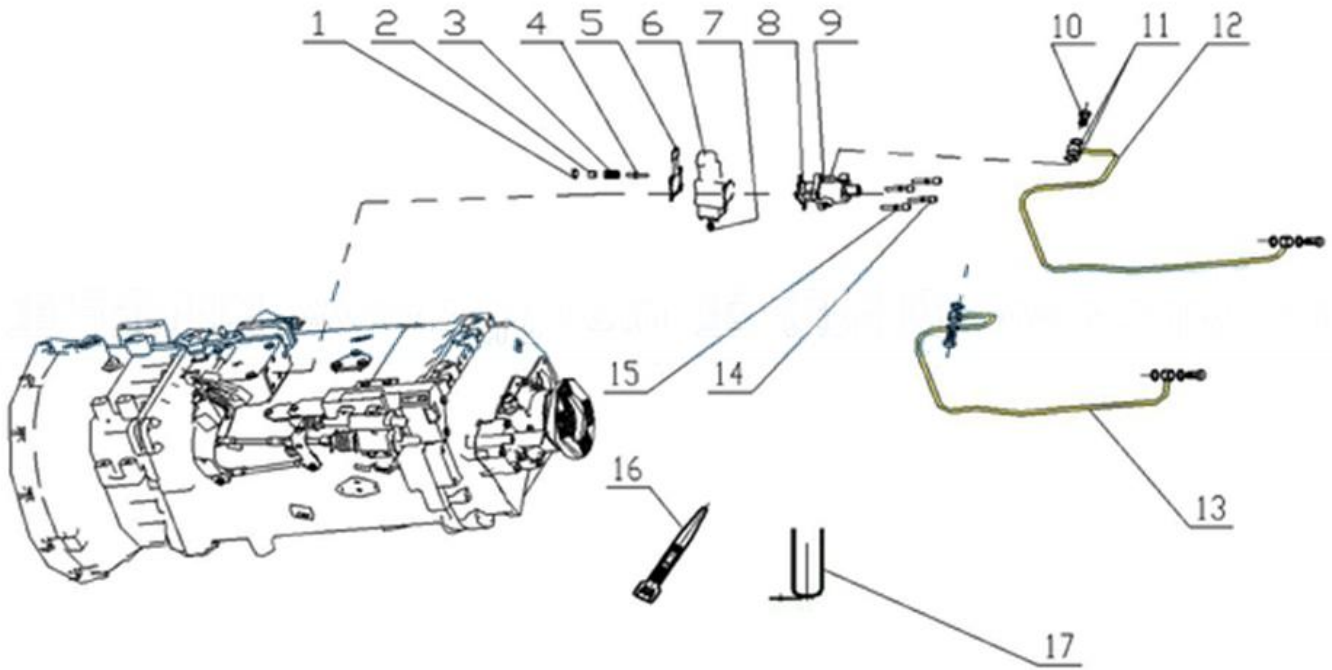


MOTION CONTROL, HW19710T			
Serial	Name	Number	Note
1	hexagonal head bolt	q150b1020	
1	spring gasket	q40310	
2	soft shaft support (pull type)	wg2229270007	
<i>powered by CHINA HEAVY TRUCK PARTS STORE CO LTD</i>			
<i>www.sinotruk-parts-store.com</i>			

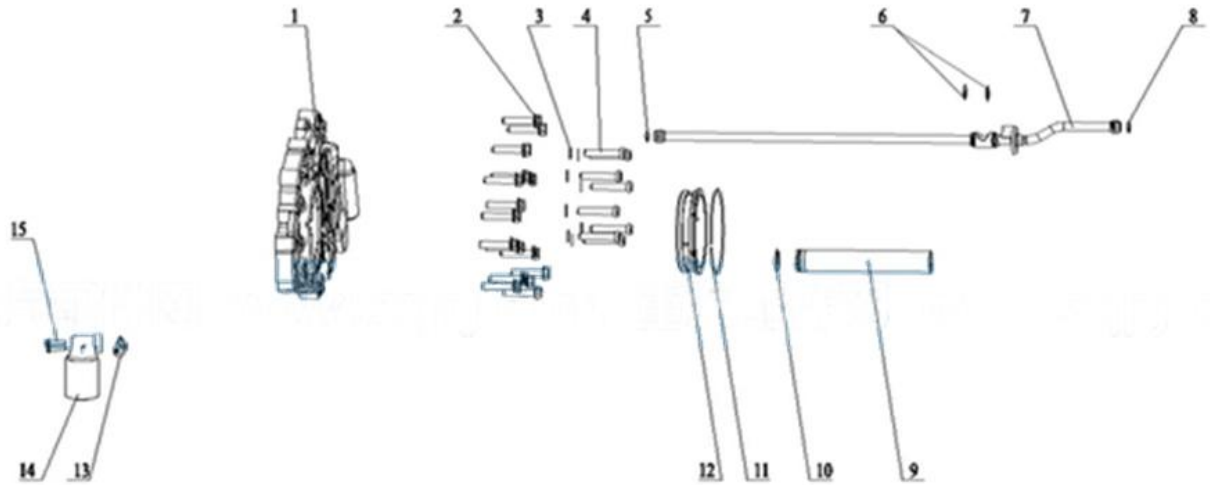


CLUTCH CONTROL, HW19710T

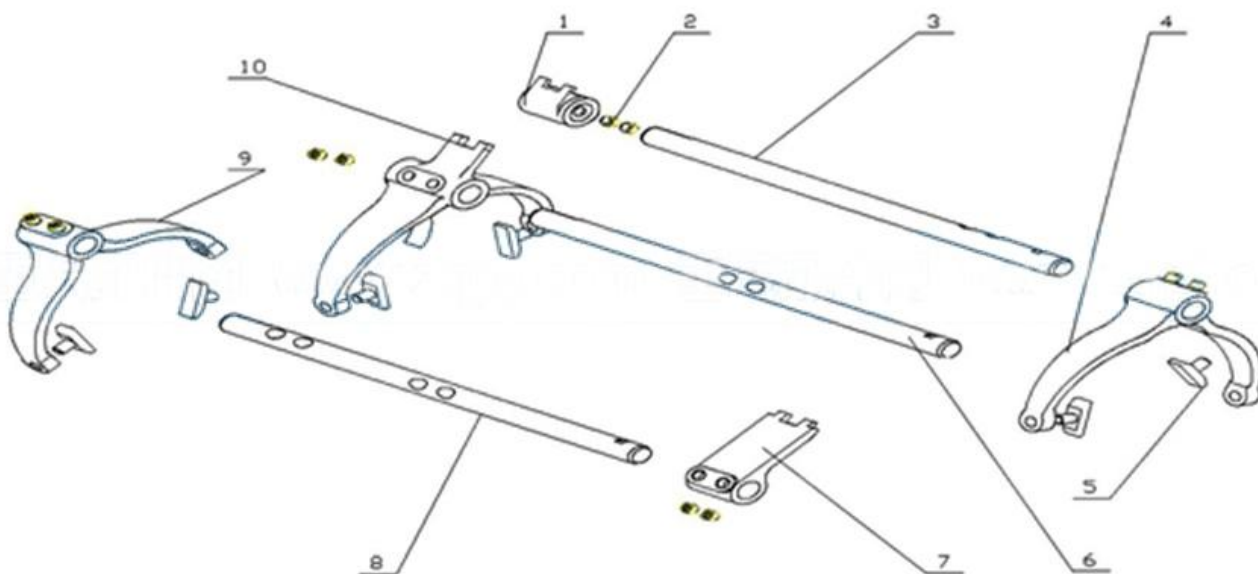
Serial	Name	Number	Note
1	set of hexagonal head bolt and spring gasket	q1421250	
2	shifting fork support	wg2229260035	
3	compound bushing	wg2229003030	
4	set of hexagonal head bolt and spring gasket	q1421030	
5	booster cylinder support	wg2229260015	
6	normal flat key	8x25a	
7	inner hexagonal cone screw	q2881016f9	
8	shifting fork shaft	wg2203260014	
9	clutch separating shifting fork	wg2214260001	
10	cap	wg2229260037	
11	set of hexagonal head bolt and spring gasket	q1420612	



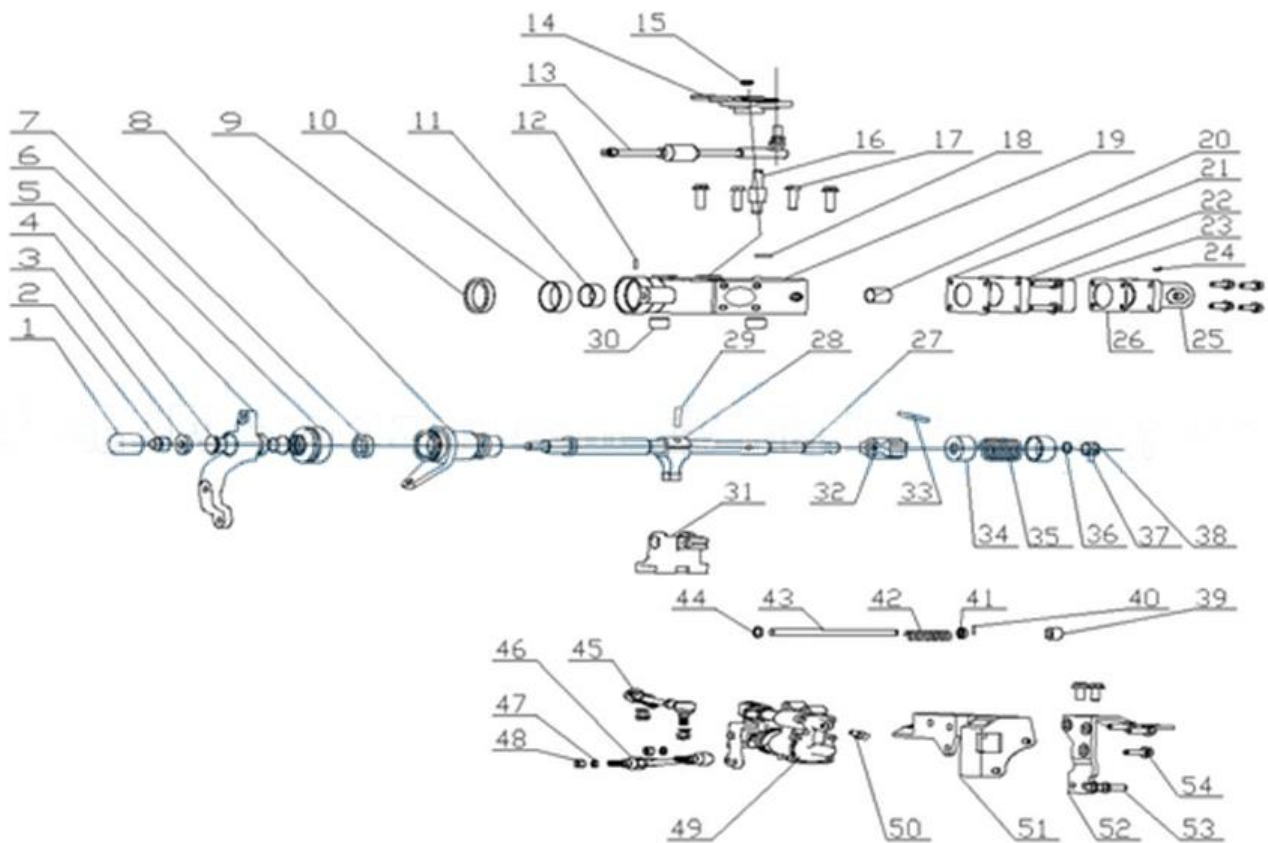
AIR CONTROL PIPELINE VALVE, HW19710T			
Serial	Name	Number	Note
1	O ring	az9003071700	
2	bushing	az2229250017	
3	spring	az2229250004	
4	locking pin	az2229250015	
5	air control valve paper pad	az2229250023	
6	air control locking valve	az2203250010	
7	straight in	wg2229250006	
8	double H valve gasket	az2229250024	
9	double H valve	az2203250003	
10	hollow bolt	190003962621	
11	sealing ring	q72314	
12	range gear soft pipe (low gear)	wg2203250033	
13	range gear soft pipe (high gear)	wg2203250034	
14	inner hexagonal column head screw	q218b0880	
15	spring gasket	q40308	
16	wire nail	az2229250030	
17	wire nail	az2229250031	



OIL PUMP AND PIPELINE, HW19710T			
Serial	Name	Number	Note
1	oil pump	wg2203240019	
2	set for hexagonal head bolt and spring gasket	q1421050	
3	elastic gasket	q41710	
4	inner hexagonal head bolt	wg9003961055	
5	O ring	wg9003071618	
6	O ring	wg9003072018	
7	oil dropping pipe	wg2203240018	
8	O ring	wg9003071618	
9	filter net pipe	wg2203240017	
10	O ring	wg9003073018	
11	steel retaining ring for oil pump body	wg2229240033	
12	sealing sleeve for oil pump body	wg2229240032	
13	gasket for filter	wg2229010007	
14	oil filter	wg2203010008	
15	set for hexagonal head bolt and spring gasket	q1421035	
<i>powered by CHINA HEAVY TRUCK PARTS STORE CO LTD</i>			
<i>www.sinotruk-parts-store.com</i>			

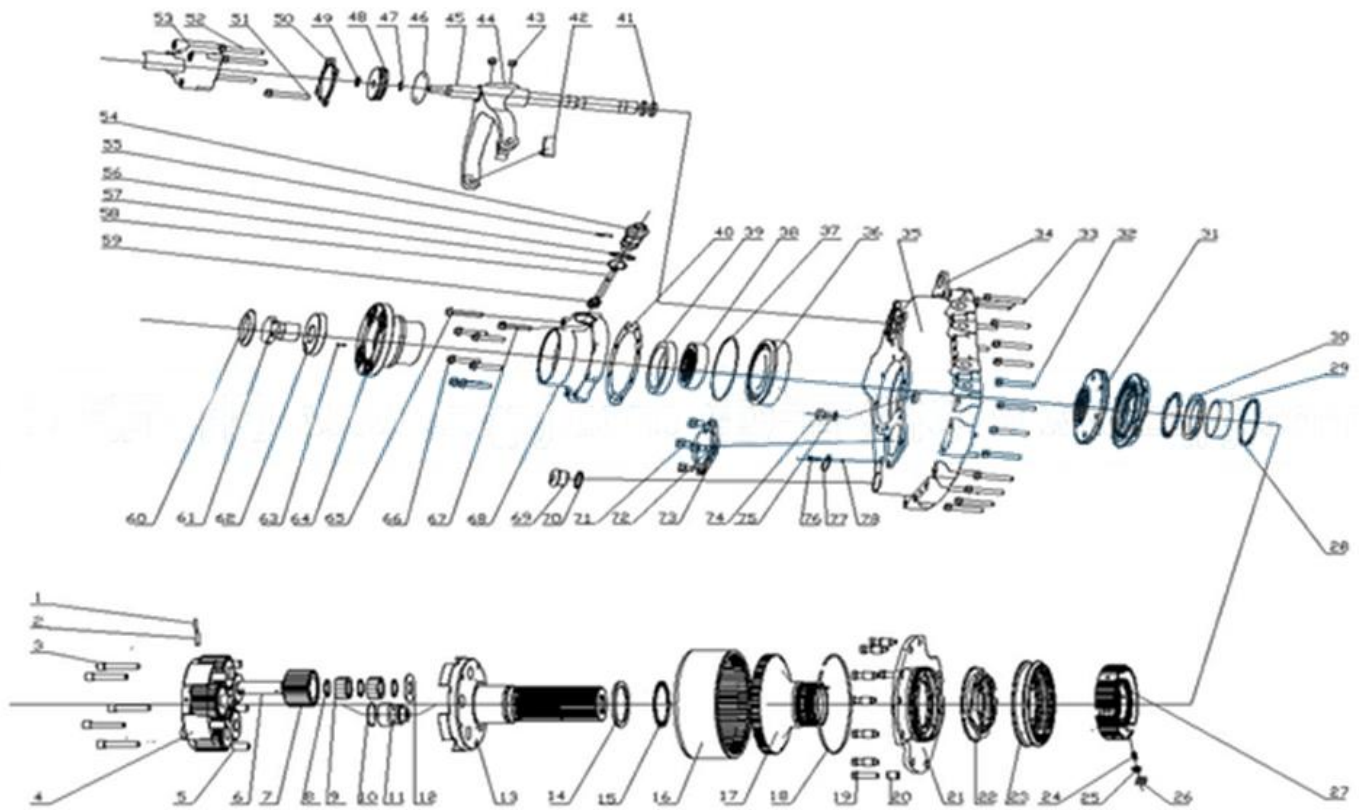


SHIFTNG FORK SHAFT, HW19710T			
Serial	Name	Number	Note
1	reverse gear guiding block	wg2214220016	
2	shifting fork locking scew	wg2229100207	
3	reverse gear speed change shifting fork	wg2212220006	
4	reverse gear speed change shifting fork	wg2214220015	
5	speed change fork sliding block	wg2229100206	
6	second & third gear speed change fork shaft	wg2212220007	
7	fifth & sixth guiding block	wg2214220019	
8	fourth & fifth gear speed change fork shaft	wg2212220008	
9	fourth & fifth speed change fork	wg2214220018	
10	second & third speed change fork	wg2214220017	



CAP & AIR BOOSTER, HW19710T			
Serial	Name	Number	Note
1	blanking cap	wg2229210084	
2	locking nut	wg2229210083	
3	gasket	wg2229210082	
4	shifting shfat sleeve	wg2229210081	
5	selector rocking arm	wg2214210015	
6	rubber cover	wg2229210080	
7	shifting shaft oil seal	wg9003073045	
8	shifting fork sleeve	wg2203210311	
9	oil seal for shifting shaft sleeve	wg9003075568	
10	shifting shaft sleeve ONE	wg2229210077	
11	shifting shaft sleeve TWO	wg2229210078	
12	colume pin	wg2229210079	
13	supporting rod	wg2229210076	
14	select rod	wg2229210075	
15	elasctic retaining ring for shaft	q43112	
16	selector supporting rod	wg2229270003	
17	hexagonal head bolt	q150b1085	

17	spring gasket	q40310	
18	bowl type plug	q72220	
19	cap body	az2222210025	
19	cap paper pad	wg2229210072	
20	compound bushing	wg2229002520	
21	end cap bushing	wg2229210017	
22	end cap support	wg2222210026	
23	set for hexagonal head bolt and spring gasket)	q1420825	
24	breath plug (normal opened)	q901	
25	right end cap	wg2229210063	
26	paper pad for end cap	az2229210032	
27	shifting shaft (double)	wg2212210013	
28	shift head	wg2214210012	
29	pin	wg2229210009	
30	positioning guiding cover	wg2229210036	
31	inter-locking fork	wg2214210011	
32	self locking block	az2229210008	
33	drive pin	wg2229210012	
34	seat ring	wg2229210007	
35	spring (low gear side)	wg2229210021	
36	elastic retaining ring for shaft	q43120	
37	elastic colume pin	q5280632	
38	sensor driving ring	wg2229210061	
39	bushing	wg2229210001	
40	kingpin	wg9003343178	
41	spring retainer	wg2229210011	
42	self locking spring	wg2229210033	
43	self locking pin	wg2212210015	
44	bowl type plug	q72214	
45	shifting pulling rod	wg2203210313	
46	selecting pulling rod	wg2203210312	
47	spring gasket	q40310	
48	fine thread hexagonal nut	q341b10	
49	air booster	wg2203210314	
50	air pipe connector for booster	wg2229210090	
51	air booster support	wg2229010014	
52	air booster support	wg2229010015	
53	set for hexagonal head bolt and spring gasket)	q1421025	
54	fine thread combined bolt	az9003801026	
<i>powered by CHINA HEAVY TRUCK PARTS STORE CO LTD</i>			
<i>www.sinotruk-parts-store.com</i>			

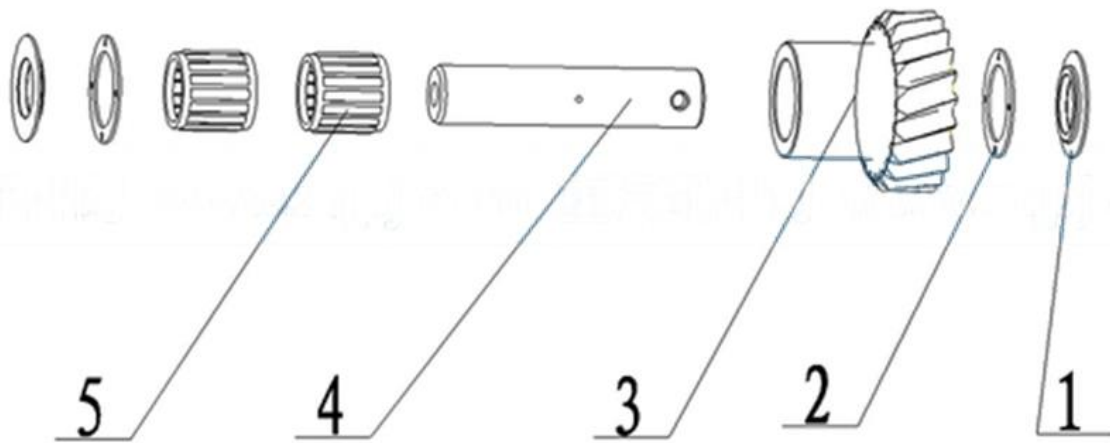


DEPUTY CASE OF RANGE GEAR, HW19710T

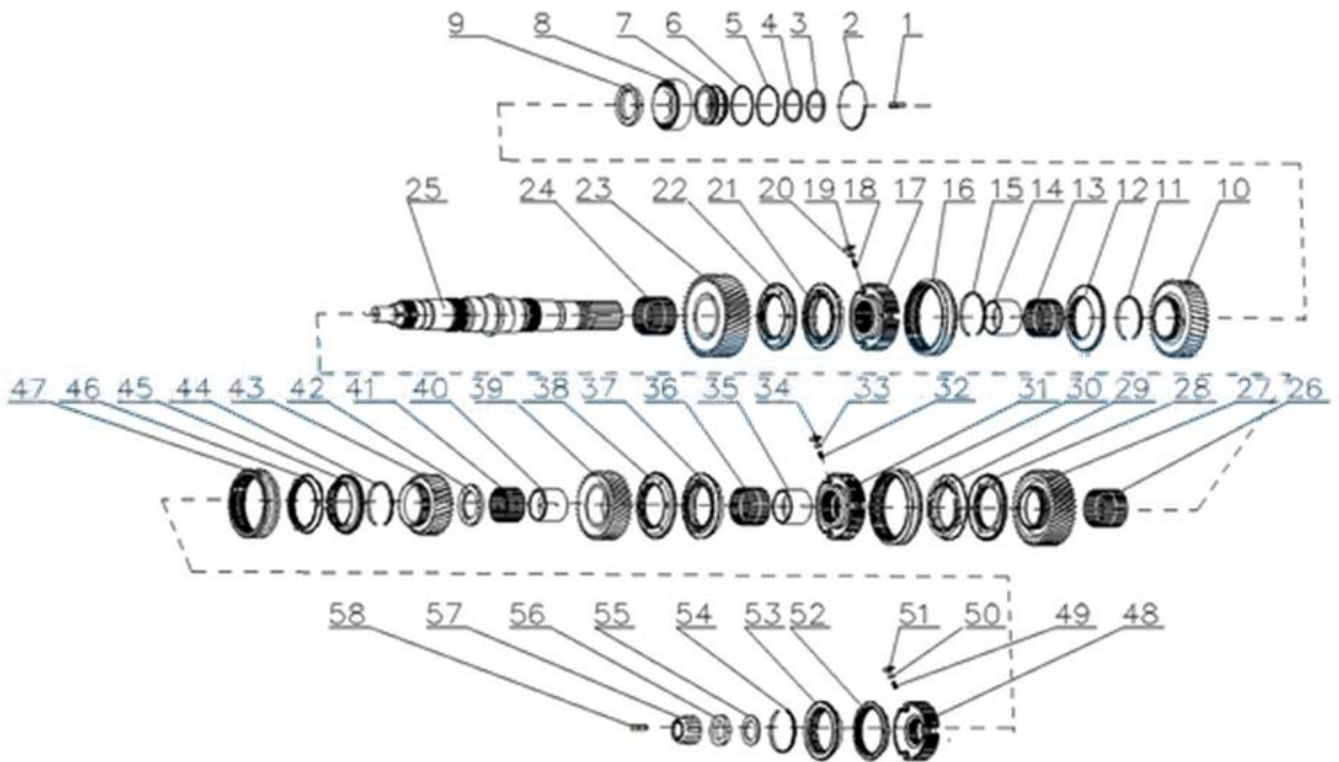
Serial	Name	Number	Note
1	elastic colume pin	q5280430	
2	elastic colume pin	q5280630	
3,4,5,13	planet carrier	az2203100105	
3	inner hexagonal colume head screw	az9003821255	
4	front body of planet carrier	az2225100003	
5	bushing	wg2229100001	
6	planetary wheel shaft	wg2212100001	
7	planetary wheel	az2210100012	
8	gasket	wg2229100007	
9	colume roller	wg9003321118	
10	elastic retaining ring	az9003991056	
11	oil guiding connector for planet carrier	wg2229100209	
12	gasket for planetary wheel	wg2229100008	
13	rear body for planetary carrier	az2225100004	
14	retaining ring	wg2229100201	
15	pushing bearing planetary carrier	wg9003991113	
16	annular gear	wg2210100005	
17	gear ring support	wg2210100021	

18	steel retaining ring	wg2229100012	
19	set for hexagonal head bolt and spring gasket)	q1401235	
20	sleeve	wg2229100002	
21	low gear cone hub for range gear	wg2203100108	
22	synchronizer ring for range gear	wg2203100107	
23	gear sleeve for range gear	az2210100024	
24	synchronizer spring	wg2229100211	
25	synchronizer locking block	wg2229040301	
26	synchronizer block seat	wg2229040302	
27	gear seat of range gear	az2203100110	
28	steel retaining ring for shaft	q433110	
29	spacer bush for planet carrier	wg2229100203	
30	retaining ring of rear thrust bearing for planet carrier	wg2229100202	
31	cone hub for high gear of range gear	az2210100026	
32	set for hexagonal head bolt and spring gasket)	q1421055	
33	set for hexagonal head bolt and spring gasket)	q1421060	
34	hanging plate	wg2229100210	
35	rear house for transmission	wg2220100201	
36	ball bearing for output shaft	az9003316317	
37	ajusting gasket set	az2208100003	
38	worm rod for mileage sensor	az2210100027	
39	output shaft oil seal	wg9003070107	
40	rear cap paper pad for output shaft	wg2229100205	
41	air cylinder sealing ring	wg2229100076	
42	speed changing fork sliding block	wg2229100206	
43	locking screw	wg2229100207	
44	shifting fork for range gear	wg2214100004	
45	fork shaft for range gear	wg2214100005	
46	O ring	wg9003076900	
47	O ring	wg9003071700	
48	piston for range gear	wg2229100050	
49	hexagonal nut	wg9003870016	
50	cylinder paper pad for range gear	wg2229100049	
51	set for hexagonal head bolt and spring gasket)	q1421065	
52	set for hexagonal head bolt and spring gasket)	q1421065	
53	cylinder of range gear	wg2222100009	
54~59	connector of mileage sensor	wg2203100009	
54	connector of mileage sensor	wg2222100002	
55	colume pin	q5220526	
56	oil seal for connector of mileage sensor	az9003071001	
57	O ring	az9003072500	
58	small gear shaft for mileage sensor	az2212100002	

59	small gear for mileage sensor	az2210100016	
60	locking plate	wg2229100074	
61	bolt	wg2229100073	
62	pressure plate	wg2229100072	
63	elastic colume pin	q5280514	
64	output flange	az2210100028	
65	bolt	az9003801075	
66	set for hexagonal head bolt and spring gasket)	q1421045	
67	hexagonal head bolt with hole on head	q170b1045	
67	spring gasket	q40310	
68	bearing cap for output shaft	wg2222100051	
69	plug	wg2229100208	
70	sealing ring	wg9003073642	
71	hexagonal head bolt	q150b1216	
71	spring gasket	q40312	
72	hole cap plate for PTO	wg2229100047	
73	gasket for plate	wg2229100048	
74	sealing gasket	q72316	
75	hexagonal head plug	q617b16	
76	hexagonal head bolt	q150b0820	
77	cover plate for oil return hole	wg2229100075	
78	O ring	wg9003070800	

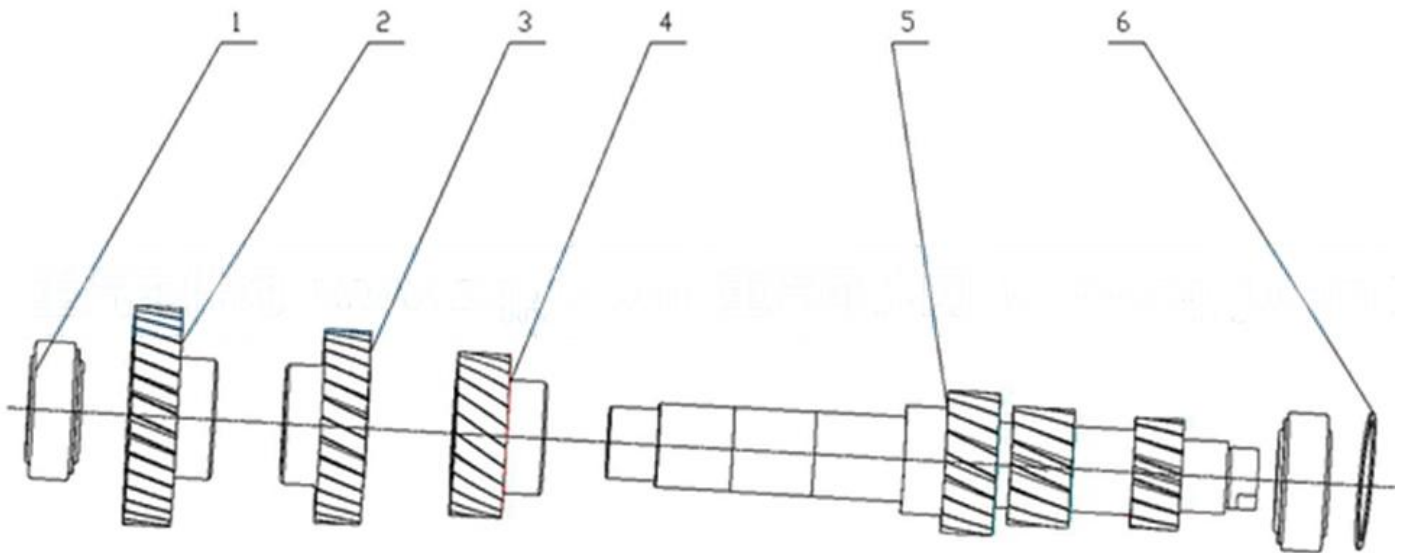


IDLER WHEEL, HW19710T			
Serial	Name	Number	Note
1	thrust ring for pushing shaft	wg2229050003	
2	pushing kingpin bearing	wg9003997003	
3	idler wheel	az2210050002	
4	idler wheel shaft	az2212050003	
5	kingpin bearing	wg9003995249	
<i>powered by CHINA HEAVY TRUCK PARTS STORE CO LTD</i>			
<i>www.sinotruk-parts-store.com</i>			



MAIN SHAFT, HW19710T			
Serial	Name	Number	Note
1	rear oil guiding connector for main shaft	wg2229040315	
2	adjusting gasket set	az2208040004	
3	rear bearing retaining ring for main shaft	wg2229040313	
4	rear bearing inner ring adjusting gasket set	az2208040003	
5	rear bearing sealing ring - I	wg2229040316	
6	rear bearing sealing ring - II	wg2229040317	
7	rear bearing sealing sleeve	wg2229040312	
8	rear cone bearing	wg9003323221	
9	reverse gear thrust pad	wg2229040309	
10	reverse gear for main shaft	az2210040406	
11	gear wheel locking ring	wg2229020020	
12	reverse gear cone ring	az2210040711	
13	kingpin bearing	wg9003990424	
14	third reverse gear kingpin bearing seat ring	wg2229040306	
15	first & second gear seat retaining ring	wg2229040308	
16	first reverse gear sleeve	az2210040734	
17	first reverse gear seat	az2210040710	
18	synchronizer spring	wg2229100211	
19	synchronizer locking block	wg2229040301	

20	synchronizer locking block	wg2229040327	
21	first & second gear synchronizer ring	wg2203040451	
22	first & second gear cone plate	az2210040709	
23	first gear wheel for main shaft	az2210040405	
24	kingpin bearing	wg9003990428	
25	main shaft	az2210040401	
26	kingpin bearing	wg9003990428	
27	second gear wheel for main shaft	az2210040404	
28	first & second gear cone plate	az2210040709	
29	first & second synchronizer	wg2203040451	
30	second & third gear sliding gear sleeve	az2210040737	
31	second & third gear seat	az2203040452	
32	synchronizer spring	wg2229100211	
33	synchronizer locking block	wg2229040301	
34	synchronizer locking block seat	wg2229040327	
35	third reverse gear kingpin bearing seat ring	wg2229040306	
36	kingpin bearing	wg9003990424	
37	first & second gear synchronizer	wg2203040451	
38	first & second gear cone plate	az2210040709	
39	third gear wheel for main shaft	az2210040403	
40	forth gear kingpin bearing seat ring	wg2229040304	
41	kingpin bearing	wg9003999725	
42	third gear thrust pad	wg2229040305	
43	forth gear wheel for main shaft	az2210040402	
44	gear wheel locking ring for input shaft	wg2229020020	
45	third & forth gear cone ring	az2210020502	
46	third & forth gear synchronizer ring	wg2210040702	
47	forth & fifth sliding gear sleeve	az2210040736	
48	forth & fifth gear seat	az2210040701	
49	synchronizer locking block spring	wg2229040307	
50	synchronizer locking block	wg2229040301	
51	synchronizer locking block seat	wg2229040326	
52	third & forth gear synchronizer ring	wg2210040702	
53	third & forth gear cone ring	az2210020502	
54	gear wheel locking ring for input shaft	wg2229020020	
55	locking nut gasket and plate	wg2229040310	
56	locking nut	wg2229040311	
57	front bearing	wg9003324395	
58	front oil guiding connector	wg2229040314	



DEPUTY SHAFT, HW19710T			
Serial	Name	Number	Note
1	front & rear bearing for deputy shaft	wg9003323212	
2	driving gear for deputy shaft	az2210030403	
3	forth gear wheel for deputy shaft	az2210030402	
4	third gear wheel for deputy shaft	az2210030404	
5	deputy shaft	az2210030401	
6	adjuting gasket set	az2208030001	
1~5	deputy shaft assembly	az2203030501	